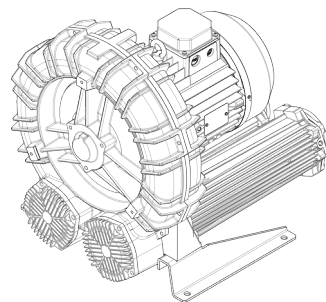




| Technical Characteristics | |
|--|--|
| <ul style="list-style-type: none"> Aluminum alloy construction Smooth operation Maintenance free | |
| Electric Motor | |
| <ul style="list-style-type: none"> Motors with IP 55 protection rating. class F insulation, suitable for operating with inverter (refer to FPZ) Thermal Protector (PTO) as standard | |
| Options | |
| <ul style="list-style-type: none"> Special voltages (IEC 60038) Surface treatments Increased seal version | |

| ~3 | [V] (Y / Δ) | | [Hz] |
|------------|-----------------------|-----------------------|------|
| | ≤ 4 kW | > 4 kW | |
| IE2 | 400 / 230 | 690 / 400 | 50 |
| | 460 / 265 | 795 / 460 | 60 |
| Wide Range | 345 - 415 / 200 - 240 | 600 - 720 / 345 - 415 | 50 |
| | 380 - 480 / 220 - 280 | 660 - 830 / 380 - 480 | 60 |

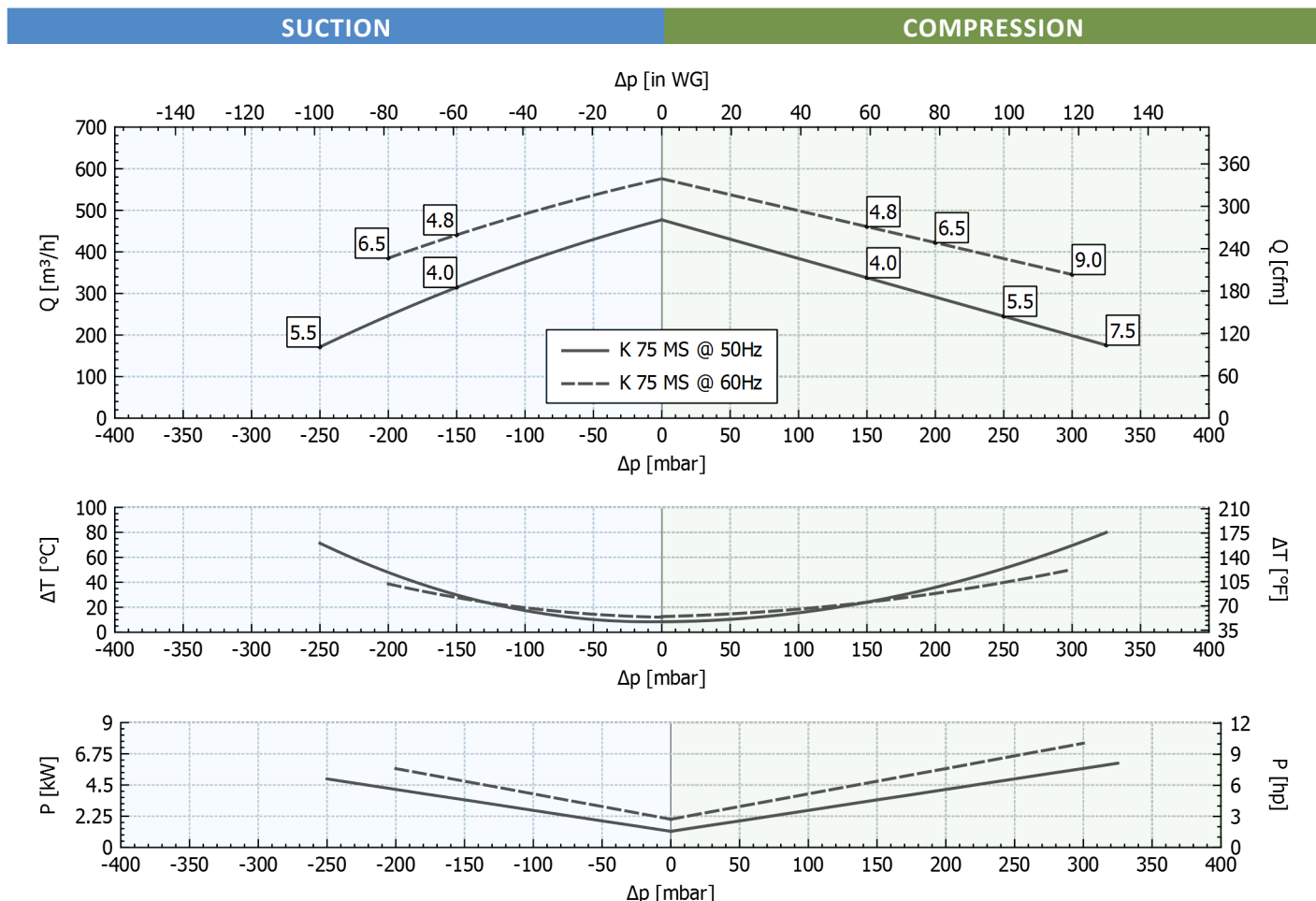
Supply voltage - IE2 only at 50 Hz - Tolerance on the fixed voltage value ± 10%, in range ± 5%.



Performance Table

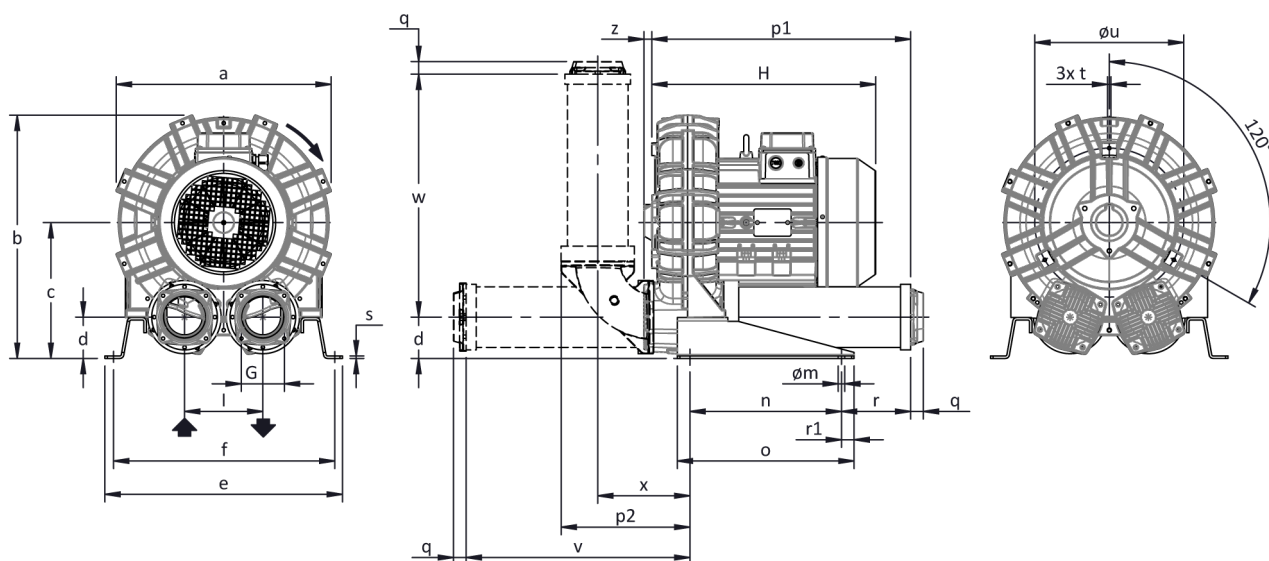
| P _n [kW] | Frequency [Hz] | Δp _{max} [mbar] | | Q _{max} [m³/h] | Leq ¹ [dB(A)] | Weight [kg] | H ³ [mm] | Current Consumption (Y/Δ) [A] | | Cosφ [-] | Speed [rpm] |
|---------------------|----------------|--------------------------|-------------|-------------------------|--------------------------|-------------|---------------------|-------------------------------|-----------------------|----------|-------------|
| | | Suction | Compression | | | | | IE2 ² | Range | | |
| 4 | 50 | 150 | 150 | 477 | 76.4 | 52.5 | 415 | 8.12 / 14.05 | 8.80-8.26 / 15.2-14.3 | 0.82 | 2910 |
| 4.8 | 60 | 150 | 150 | 576 | 78.4 | 52.5 | 415 | 8.10 / 14.03 | 9.37-8.10 / 16.2-14.0 | 0.84 | 3480 |
| 5.5 | 50 | 250 | 250 | 477 | 76.4 | 66 | 445 | 6.40 / 11.1 | 6.81-6.75 / 11.8-11.7 | 0.8 | 2940 |
| 6.5 | 60 | 200 | 200 | 576 | 78.4 | 66 | 445 | 6.38 / 11.1 | 7.21-6.47 / 12.5-11.2 | 0.84 | 3535 |
| 7.5 | 50 | - | 325 | 477 | 76.4 | 71 | 445 | 9.06 / 15.7 | 9.18-9.47 / 15.9-16.4 | 0.78 | 2940 |
| 9 | 60 | - | 300 | 576 | 78.4 | 71 | 445 | 8.86 / 15.34 | 9.87-9.00 / 17.1-15.6 | 0.83 | 3530 |

1. Noise level measured at a distance of 1 m with ducted intake and delivery, in accordance with Standard ISO 3744.
 2. IE2 only at 50 Hz.
 3. See figure "dimensions" at following page.



Tolerance on indicated values ± 10%.
 Data subject to change without notice.
 Curves referring to air at a temperature of 20 °C and atmospheric pressure of 1013 mbar (abs).

Dimensions



Configuration with a vertical silencer is only available with the CK accessory kit; for all assembly options refer to FPZ.

NOT Binding
 Dimensions in mm

| a | b | c | d | d1 | e | f | G | l | l1 | l2 | m | n | o | p1 | p2 | q | r | r1 | s | t | u | v | w | x | y | z |
|-----|-----|-----|----|----|-----|-----|------|-----|----|----|----|-----|-----|-----|-----|----|-----|----|---|----|-----|-----|-----|-----|---|----|
| 424 | 481 | 269 | 82 | - | 470 | 438 | G 3" | 155 | - | - | 13 | 300 | 350 | 512 | 255 | 25 | 137 | 25 | 5 | M8 | 295 | 443 | 481 | 183 | - | 16 |

INSTALLATION

- For proper operation of the machine, it must be provided with a suction FILTER and a vacuum/pressure limiting VALVE.
- Other accessories are available on request.
- Permissible ambient and fluid temperature in suction from -15 °C to +40 °C.
- Read the instruction manual carefully before installing the machine.